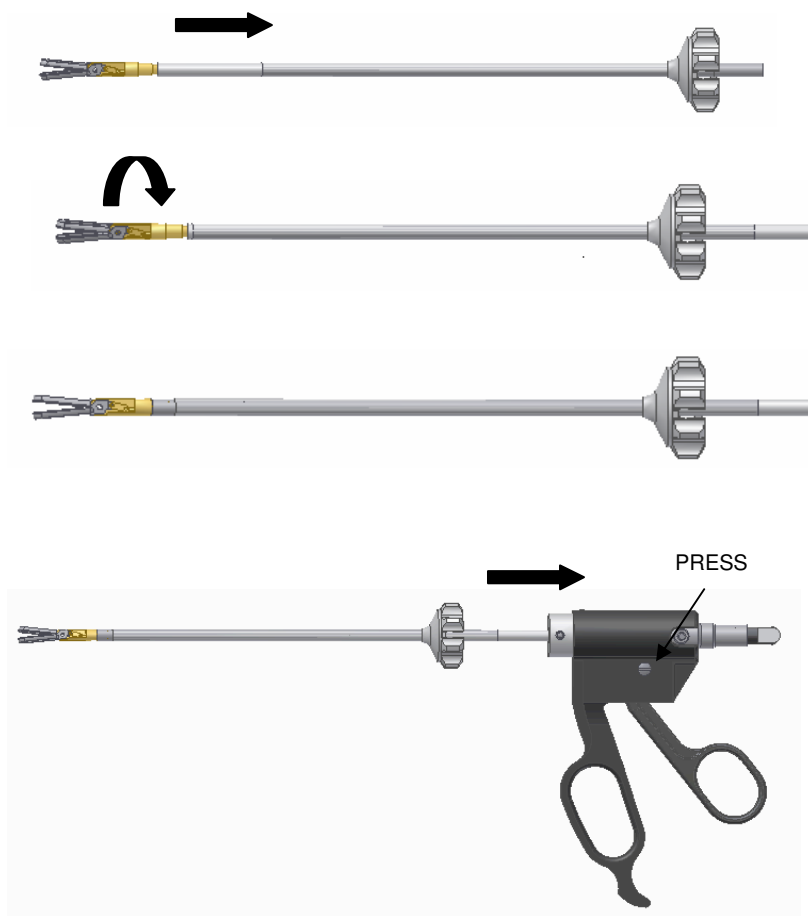
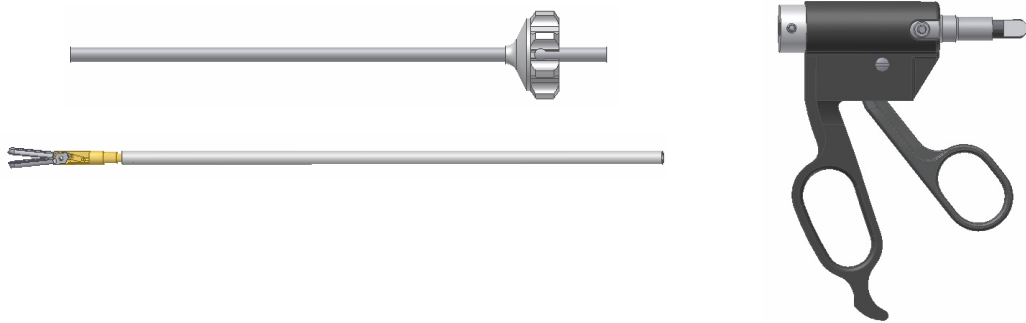


MONTAGEANWEISUNG



ASSEMBLY



DEMONTAGEANWEISUNG



DISASSEMBLY

